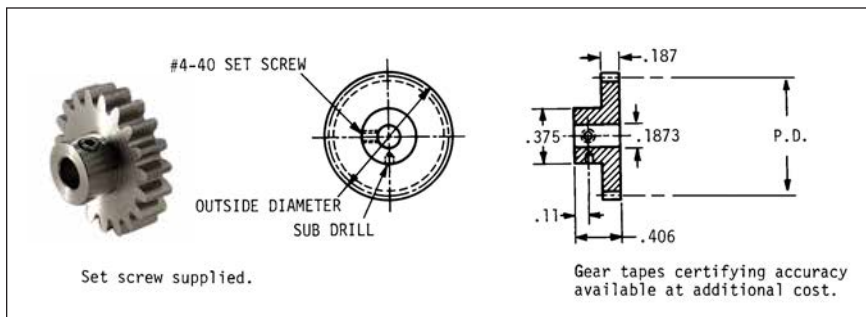


# SPUR GEARS - PIN HUB

**24 PITCH  
3/16 FACE  
3/16 BORE**

20° PRESSURE ANGLE



**Specifications:** Unless otherwise stated, AGMA Quality 10 / A7 or better gears will be supplied. When ordering Q12 / A6 or Q14 / A5, please supply the catalog number and add Q12 / A6 or Q14 / A5.

| Gear Class * | Total Composite Tolerance | Tooth to Tooth Composite Tolerance | Bore    | Pitch Diameter | Outside Diameter |
|--------------|---------------------------|------------------------------------|---------|----------------|------------------|
| Q10 / A7     | .0011                     | .0004                              | + .0005 | -.001          | -.002            |
| Q12 / A6     | .0008                     | .0003                              | + .0003 | -.0007         | -.0015           |
| Q14 / A5     | .0005                     | .0002                              | + .0002 | -.0005         | -.001            |

\*Gear class per ANSI/AGMA 2015-2-A06 standard as detailed on page 8N in the Technical Section.

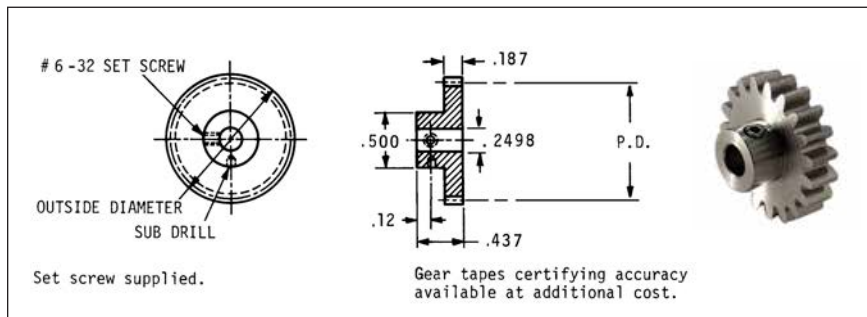
**ORDER BY CATALOG NUMBER**

| 303 STAINLESS STEEL |                | 2024-T4 ALUMINUM<br>Anodized Before Cutting | GEAR DATA      |                  |                  |
|---------------------|----------------|---|----------------|------------------|------------------|
| Catalog Number      | Catalog Number | Number of Teeth                             | Pitch Diameter | Outside Diameter | Outside Diameter |
| LAS-C1-12           | LAA-C1-12      | 12  | .5000          | .583             |                  |
| LAS-C1-13           | LAA-C1-13      | 13  | .5418          | .625             |                  |
| LAS-C1-14           | LAA-C1-14      | 14  | .5833          | .667             |                  |
| LAS-C1-15           | LAA-C1-15      | 15  | .6250          | .708             |                  |
| LAS-C1-16           | LAA-C1-16      | 16  | .6667          | .750             |                  |
| LAS-C1-17           | LAA-C1-17      | 17  | .7083          | .792             |                  |
| LAS-C1-19           | LAA-C1-19      | 19  | .7917          | .875             |                  |
| LAS-C1-20           | LAA-C1-20      | 20  | .8333          | .917             |                  |
| LAS-C1-22           | LAA-C1-22      | 22  | .9167          | 1.000            |                  |
| LAS-C1-24           | LAA-C1-24      | 24  | 1.0000         | 1.083            |                  |
| LAS-C1-30           | LAA-C1-30      | 30  | 1.2500         | 1.333            |                  |
| LAS-C1-36           | LAA-C1-36      | 36  | 1.5000         | 1.583            |                  |
| LAS-C1-42           | LAA-C1-42      | 42  | 1.7500         | 1.833            |                  |
| LAS-C1-48           | LAA-C1-48      | 48  | 2.0000         | 2.083            |                  |
| LAS-C1-54           | LAA-C1-54      | 54  | 2.2500         | 2.333            |                  |
| LAS-C1-60           | LAA-C1-60      | 60  | 2.5000         | 2.583            |                  |
| LAS-C1-72           | LAA-C1-72      | 72  | 3.0000         | 3.083            |                  |
| LAS-C1-84           | LAA-C1-84      | 84  | 3.5000         | 3.583            |                  |
| LAS-C1-87           | LAA-C1-87      | 87  | 3.6250         | 3.708            |                  |
| LAS-C1-96           | LAA-C1-96      | 96  | 4.0000         | 4.083            |                  |

# SPUR GEARS - PIN HUB

**24 PITCH  
3/16 FACE  
1/4 BORE**

20° PRESSURE ANGLE



**Specifications:** Unless otherwise stated, AGMA Quality 10 / A7 or better gears will be supplied. When ordering Q12 / A6 or Q14 / A5, please supply the catalog number and add Q12 / A6 or Q14 / A5.

| Gear Class * | Total Composite Tolerance | Tooth to Tooth Composite Tolerance | Bore    | Pitch Diameter | Outside Diameter |
|--------------|---------------------------|------------------------------------|---------|----------------|------------------|
| Q10 / A7     | .0011                     | .0004                              | + .0005 | -.001          | -.002            |
| Q12 / A6     | .0008                     | .0003                              | + .0003 | -.0007         | -.0015           |
| Q14 / A5     | .0005                     | .0002                              | + .0002 | -.0005         | -.001            |

\*Gear class per ANSI/AGMA 2015-2-A06 standard as detailed on page 8N in the Technical Section.

ORDER BY CATALOG NUMBER

| 303 STAINLESS STEEL |                | 2024-T4-ALUMINUM<br>Anodized Before Cutting |                | GEAR DATA        |  |
|---------------------|----------------|---|----------------|------------------|--|
| Catalog Number      | Catalog Number | Number of Teeth                             | Pitch Diameter | Outside Diameter |  |
| LAS-C2-15           | LAA-C2-15      | 15  | .6250          | .708             |  |
| LAS-C2-16           | LAA-C2-16      | 16  | .6667          | .750             |  |
| LAS-C2-18           | LAA-C2-18      | 18  | .7500          | .833             |  |
| LAS-C2-20           | LAA-C2-20      | 20  | .8333          | .917             |  |
| LAS-C2-21           | LAA-C2-21      | 21  | .8750          | .958             |  |
| LAS-C2-22           | LAA-C2-22      | 22  | .9167          | 1.000            |  |
| LAS-C2-24           | LAA-C2-24      | 24  | 1.0000         | 1.083            |  |
| LAS-C2-27           | LAA-C2-27      | 27  | 1.1250         | 1.208            |  |
| LAS-C2-30           | LAA-C2-30      | 30  | 1.2500         | 1.333            |  |
| LAS-C2-33           | LAA-C2-33      | 33  | 1.3750         | 1.458            |  |
| LAS-C2-36           | LAA-C2-36      | 36  | 1.5000         | 1.583            |  |
| LAS-C2-39           | LAA-C2-39      | 39  | 1.6250         | 1.708            |  |
| LAS-C2-42           | LAA-C2-42      | 42  | 1.7500         | 1.833            |  |
| LAS-C2-45           | LAA-C2-45      | 45  | 1.8750         | 1.958            |  |
| LAS-C2-51           | LAA-C2-51      | 51  | 2.1250         | 2.208            |  |
| LAS-C2-54           | LAA-C2-54      | 54  | 2.2500         | 2.333            |  |
| LAS-C2-57           | LAA-C2-57      | 57  | 2.3750         | 2.458            |  |
| LAS-C2-60           | LAA-C2-60      | 60  | 2.5000         | 2.583            |  |
| LAS-C2-66           | LAA-C2-66      | 66  | 2.7250         | 2.833            |  |
| LAS-C2-72           | LAA-C2-72      | 72  | 3.0000         | 3.083            |  |
| LAS-C2-78           | LAA-C2-78      | 78  | 3.2500         | 3.333            |  |
| LAS-C2-84           | LAA-C2-84      | 84  | 3.5000         | 3.583            |  |
| LAS-C2-90           | LAA-C2-90      | 90  | 3.7500         | 3.833            |  |
| LAS-C2-96           | LAA-C2-96      | 96  | 4.0000         | 4.083            |  |

NORDEX

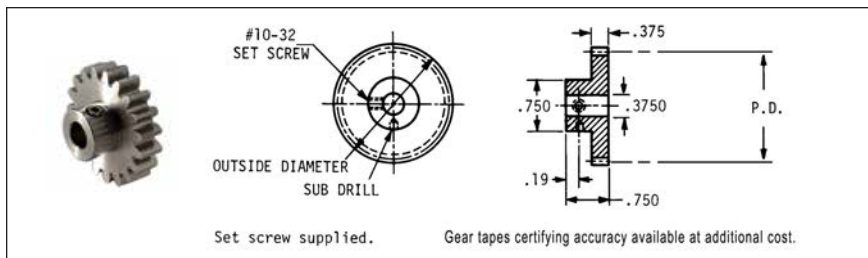
(800) 243-0986 In CT: (203) 775-4877 sales@nordex.com

10L

# SPUR GEARS - PIN HUB

**24 PITCH  
3/8 FACE  
3/8 BORE**

20° PRESSURE ANGLE



**Specifications:** Unless otherwise stated, AGMA Quality 10 / A7 or better gears will be supplied. When ordering Q12 / A6 or Q14 / A5, please supply the catalog number and add Q12 / A6 or Q14 / A5.

| Gear Class * | Total Composite Tolerance | Tooth to Tooth Composite Tolerance | Bore    | Pitch Diameter | Outside Diameter |
|--------------|---------------------------|------------------------------------|---------|----------------|------------------|
| Q10 / A7     | .0011                     | .0004                              | + .0005 | - .001         | - .002           |
| Q12 / A6     | .0008                     | .0003                              | + .0003 | - .0007        | - .0015          |
| Q14 / A5     | .0005                     | .0002                              | + .0002 | - .0005        | - .001           |

\*Gear class per ANSI/AGMA 2015-2-A06 standard as detailed on page 8N in the Technical Section.

## ORDER BY CATALOG NUMBER

| 303 STAINLESS STEEL    |                        | BRONZE          | GEAR DATA      |                  |  |
|------------------------|------------------------|-----------------|----------------|------------------|--|
| Catalog Number         | Catalog Number         | Number of Teeth | Pitch Diameter | Outside Diameter |  |
| <sup>1</sup> LAS-C3-16 | <sup>1</sup> LAB-C3-16 | 16              | .6667          | .750             |  |
| <sup>1</sup> LAS-C3-17 | <sup>1</sup> LAB-C3-17 | 17              | .7083          | .791             |  |
| <sup>1</sup> LAS-C3-18 | <sup>1</sup> LAB-C3-18 | 18              | .7500          | .833             |  |
| <sup>1</sup> LAS-C3-19 | <sup>1</sup> LAB-C3-19 | 19              | .7917          | .875             |  |
| <sup>1</sup> LAS-C3-20 | <sup>1</sup> LAB-C3-20 | 20              | .8333          | .916             |  |
| LAS-C3-21              | LAB-C3-21              | 21              | .8750          | .958             |  |
| LAS-C3-22              | LAB-C3-22              | 22              | .9167          | 1.000            |  |
| LAS-C3-23              | LAB-C3-23              | 23              | .9583          | 1.041            |  |
| LAS-C3-24              | LAB-C3-24              | 24              | 1.0000         | 1.083            |  |
| LAS-C3-26              | LAB-C3-26              | 26              | 1.0833         | 1.167            |  |
| LAS-C3-27              | LAB-C3-27              | 27              | 1.1250         | 1.208            |  |
| LAS-C3-28              | LAB-C3-28              | 28              | 1.1667         | 1.250            |  |
| LAS-C3-30              | LAB-C3-30              | 30              | 1.2500         | 1.333            |  |
| LAS-C3-33              | LAB-C3-33              | 33              | 1.3750         | 1.458            |  |
| LAS-C3-36              | LAB-C3-36              | 36              | 1.5000         | 1.583            |  |
| LAS-C3-39              | LAB-C3-39              | 39              | 1.6250         | 1.708            |  |
| LAS-C3-42              | LAB-C3-42              | 42              | 1.7500         | 1.833            |  |
| LAS-C3-45              | LAB-C3-45              | 45              | 1.8750         | 1.958            |  |
| LAS-C3-48              | LAB-C3-48              | 48              | 2.0000         | 2.083            |  |
| LAS-C3-56              | LAB-C3-56              | 56              | 2.3333         | 2.417            |  |
| LAS-C3-60              | LAB-C3-60              | 60              | 2.5000         | 2.583            |  |
| LAS-C3-72              | LAB-C3-72              | 72              | 3.0000         | 3.083            |  |
| LAS-C3-80              | LAB-C3-80              | 80              | 3.3333         | 3.417            |  |
| LAS-C3-96              | LAB-C3-96              | 96              | 4.0000         | 4.083            |  |
| LAS-C3-112             | LAB-C3-112             | 112             | 4.6667         | 4.750            |  |
| LAS-C3-120             | LAB-C3-120             | 120             | 5.0000         | 5.083            |  |

<sup>1</sup> Gear hob cuts into hub. The gears listed above under 2" O.D. are solid, **one piece** construction.

Gears with 2" O.D. and over are pinned and staked or solid at Nordex option.

\*\*Price on application